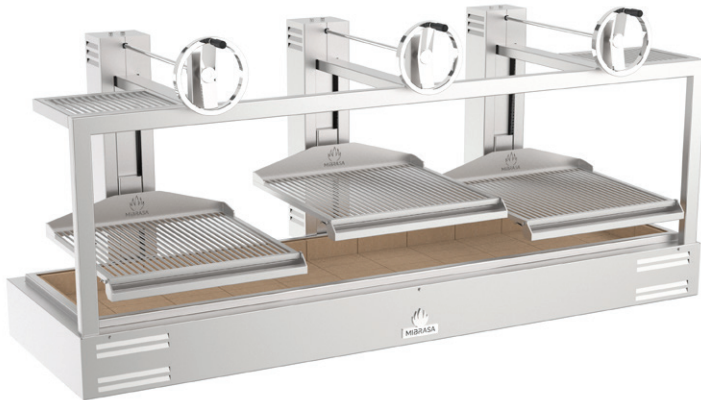




Project: _____ Item# _____

Parrilla GMB 252-3GR

TECHNICAL INFORMATION



Fire up time ¹	30 min-average	
Cooking temperature	482 °F	250 °C
Total cooking surface area	3x (26.97" x 24.8")	3x (685 x 630 mm)
Grill height range	13.78"	350 mm
Initial charcoal load ¹	55 lb	25 kg
Charcoal load duration ²	7 h	
Equivalent power*	8 hp	6 kW
Exhaust rate	410 gal/s	5600 m ³ /h
Installation height*	27.56"	700 mm
Net weight ³	1338 lb	605 kg
Crated weight* ³	1808 lb	820 kg
Crated size (WxDxH)	44" x 104" x 55"	1120 x 2640 x 1380 mm

FEATURES

Precision and strength is key to the PARRILLA by MIBRASA®. Effortlessly regulate the height of your grill surface thanks to the carefully engineered sprocket and chain system, keeping maintenance down to a minimum.

The system lets us sear, cook and rest our ingredients, to get the optimal result every time.

ERGONOMICALLY DESIGNED WITH MAXIMUM QUALITY AND SECURITY

With a sloping grill, the grease runs down the weld-free grill bars to prevent grease build-up. Grease drips down to the collector with an easy to remove mechanism ready to clean.

The base is lined with refractory bricks to ensure maximum heat efficiency and resistance to pure fire. And the built-in cooling system in outer case guarantees a maximum level of security.

Built using quality steels providing strength and durability; ergonomically designed for practicality and ease of use, each feature plays a crucial part in delivering the ultimate grilling machine for every chef.

*Approximate data

1. Consult instruction manual
2. Will vary depending on quality of charcoal
3. Weight with accessories included

INCLUDED ACCESSORIES

- 3 rod grills [CPV252]
- Ash shovel [PALA]
- Ember poker [PK]
- Mibrasa tongs [TG]
- 2 Swivel hooks [GGCV]
- Grill brush [CEP]

OPTIONAL ACCESSORIES

- V-shape grill [GV252]
- Extra rod grill [CPV252]
- End of service lid [TAPA65]
- Thermal protector [EPGMB252-3GR]
- Espeto skewer kit [KITESPGMB252]
- GN support kit [SGN252-3GR]
- Vertical cooking rack [CPH-252-3GR]

Specifications and design are subject to change without notice.

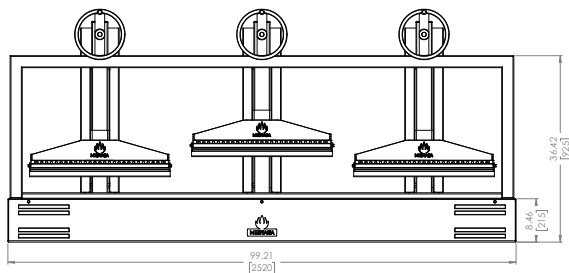
QUALITY GUARANTEE



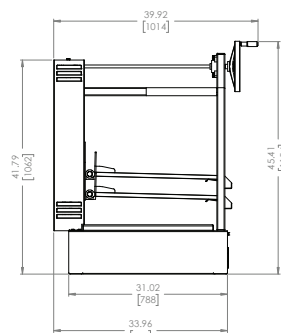


Parrilla GMB 252-3GR

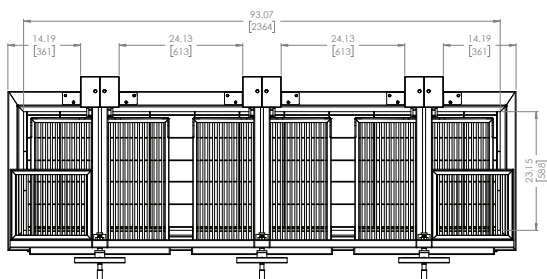
FRONT VIEW



SIDE VIEW



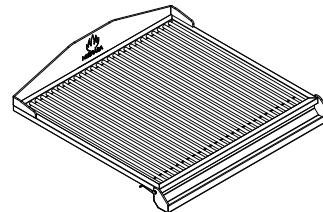
TOP VIEW



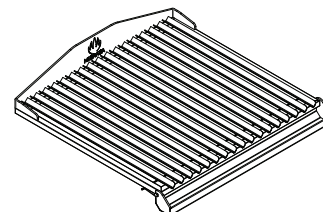
Dimensions in inches and [mm]

GRILL TYPES

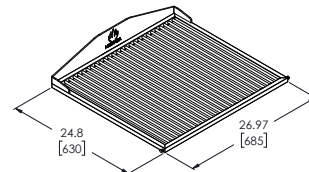
Rod bar grill



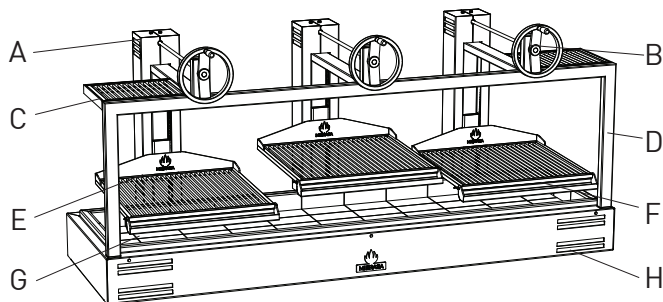
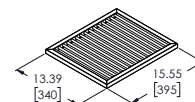
V-shape grill



GRILL DIMENSIONS



HEATING RACK DIMENSIONS



A	Elevating system
B	Elevating wheel
C	Heating rack
D	Structure
E	Grill
F	Grease collector
G	Refractory bricks
H	Main body

Revit drawings available on request at usa@mibrasa.com

Safety standards and installation guidelines

- Combustible floor protection dimensions: a. 30 in [762 mm] to each side of the Parrilla
b. 36 in [914 mm] in front of the Parrilla
- Clearances to combustible construction/other appliances: a. Unit to backwall = 7 in [180 mm]
b. Unit to sidewalls = 28 in [720 mm]
- The workspace for the chef should be 27.56 in [700 mm] from the front of the Parrilla.
- A lifting device should be used whenever possible to lift the Parrilla and place on the countertop/stand.

For further information, please consult the instruction manual.

Specifications and design are subject to change without notice.



Parrilla GMB 252-3GR

OPTIONAL COMPLETE STAND



TECHNICAL INFORMATION

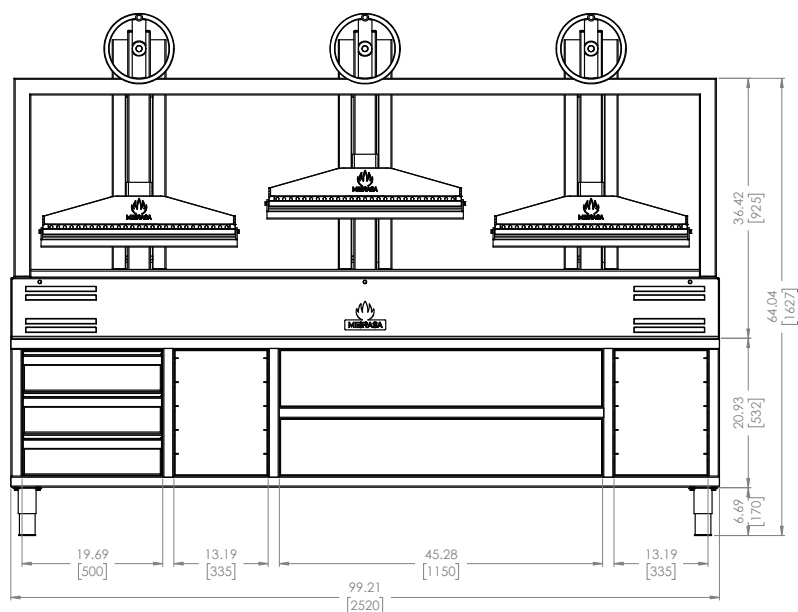
Ref.	GMB252-3GR + MCGMB252	
Net weight ³	1642 lb	745 kg
Crated weight* ³	9160	980 kg
Crated size (WxDxH)	44" x 104" x 85"	1120 x 2640 x 2150 mm

Ref.	MCGMB252	
Net weight ³	309 lb	140 kg
Crated weight* ³	353 lb	160 kg
Crated size (WxDxH)	44" x 104" x 28"	1120 x 2640 x 700 mm
No. drawers	3	
No. GN rack slots	12	

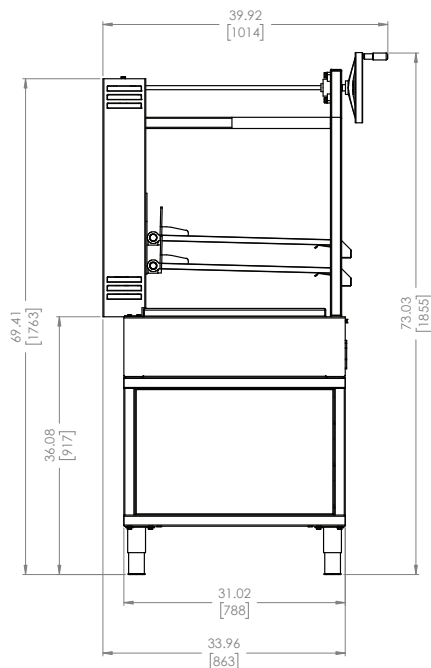
OPTIONAL ACCESSORIES

- S/S Casters [WINOXG]

FRONT VIEW



SIDE VIEW



Dimensions in inches and [mm]

MIBRASA® USA Corp.
 8950 SW 74th Ct., Suite 1406
 Miami, Florida 33156 - U.S.A
 Ph: (408) 348 7607 - usa@mibrasa.com
www.mibrasa.com



Parrilla GMB 252-3GR

OPTIONAL STANDARD STAND



TECHNICAL INFORMATION

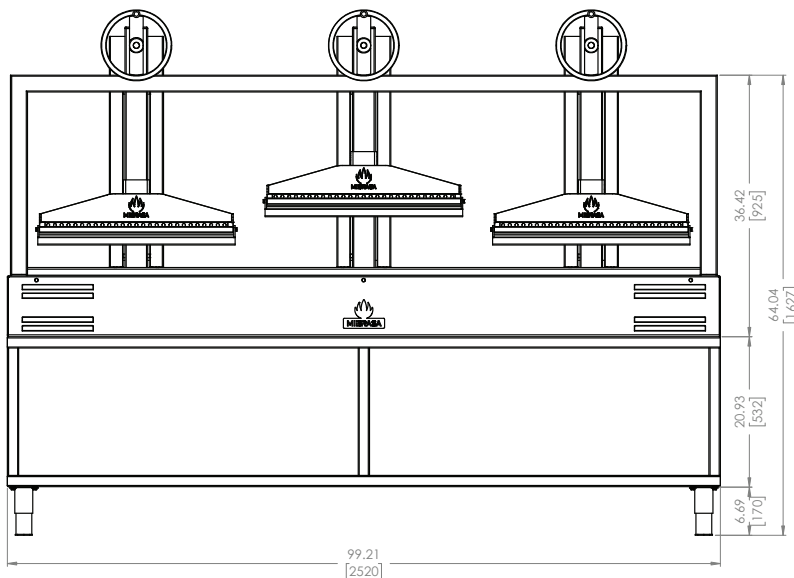
Ref.	GMB252-3GR + MGMB252	
Net weight ³	1462 lb	663 kg
Crated weight* ³	1962 lb	890 kg
Crated size (WxDxH)	44" x 104" x 85"	1120 x 2640 x 2150 mm

Ref.	MGMB252	
Net weight ³	128 lb	58 kg
Crated weight* ³	172 lb	78 kg
Crated size (WxDxH)	44" x 104" x 28"	1120 x 2640 x 700 mm

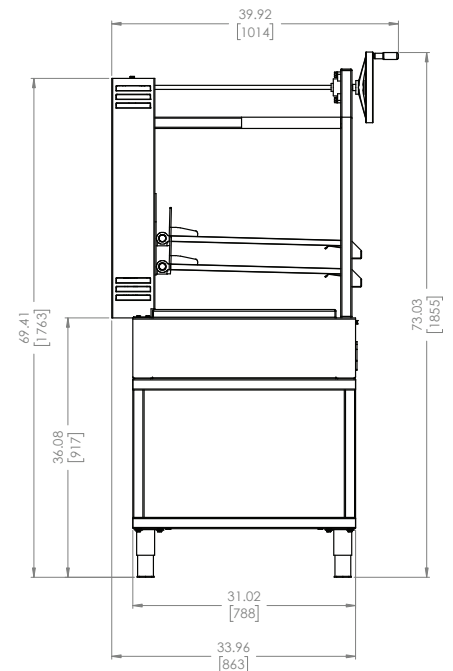
OPTIONAL ACCESSORIES

- S/S Casters [WINOXG]

FRONT VIEW



SIDE VIEW



Dimensions in inches and [mm]