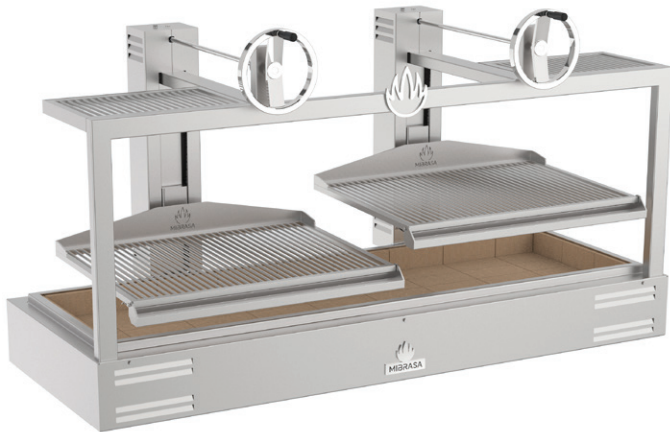




Project: _____ Item# _____

Parrilla GMB 200



TECHNICAL INFORMATION

Fire up time ¹	30 min-average	
Cooking temperature	482 °F	250 °C
Total cooking surface area	2x (35.04" x 24.8")	2x (890 x 630 mm)
Grill height range	13.78"	350 mm
Initial charcoal load ¹	44 lb	20 kg
Charcoal load duration ²	5 h	
Equivalent power*	8 hp	6 kW
Exhaust rate	374 gal/s	5100 m ³ /h
Installation height*	27.56"	700 mm
Net weight ³	1020.7 lb	463 kg
Crated weight* ³	1395 lb	653 kg
Crated size (WxDxH)	44" x 87" x 54"	1120 x 2200 x 1380 mm

FEATURES

Precision and strength is key to the PARRILLA by MIBRASA®. Effortlessly regulate the height of your grill surface thanks to the carefully engineered sprocket and chain system, keeping maintenance down to a minimum.

The system lets us sear, cook and rest our ingredients, to get the optimal result every time.

ERGONOMICALLY DESIGNED WITH MAXIMUM QUALITY AND SECURITY

With a sloping grill, the grease runs down the weld-free grill bars to prevent grease build-up. Grease drips down to the collector with an easy to remove mechanism ready to clean.

The base is lined with refractory bricks to ensure maximum heat efficiency and resistance to pure fire. And the built-in cooling system in outer case guarantees a maximum level of security.

Built using quality steels providing strength and durability; ergonomically designed for practicality and ease of use, each feature plays a crucial part in delivering the ultimate grilling machine for every chef.

*Approximate data

1. Consult instruction manual
2. Will vary depending on quality of charcoal
3. Weight with accessories included

INCLUDED ACCESSORIES

- 2 rod grills [CPV200]
- Ash shovel [PALA]
- Ember poker [PK]
- Mibrasa tongs [TG]
- Grill brush [CEP]

OPTIONAL ACCESSORIES

- V-shape grill [GV200]
- Extra rod grill [CPV200]
- Burning pit lid [TAPA85]
- Vertical cooking rack [CPH-200]
- Swivel hook [GGCV]
- Thermal protector [EPGMB200]
- Espeto skewer kit [KITESPGMB200]
- GN support kit [SGN200]

Specifications and design are subject to change without notice.

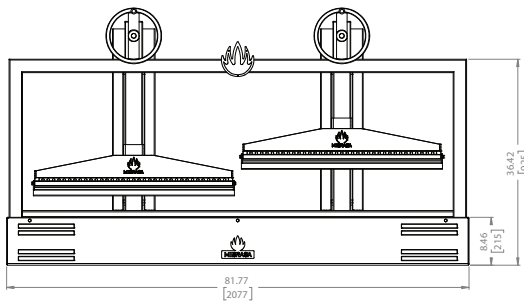
QUALITY GUARANTEE



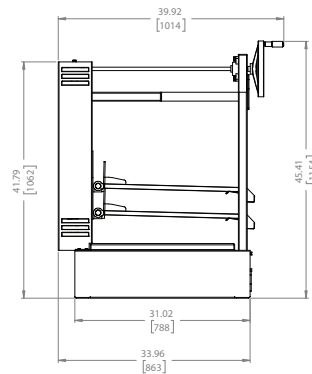


Parrilla GMB 200

FRONT VIEW

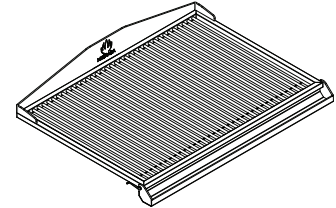


SIDE VIEW

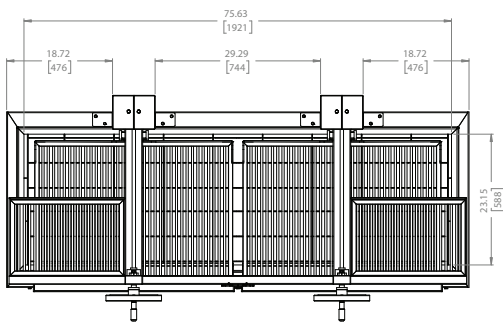
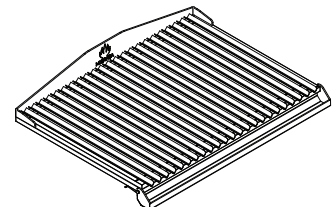


GRILL TYPES

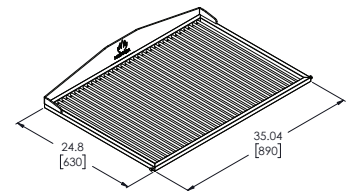
Rod bar grill



V-shape grill

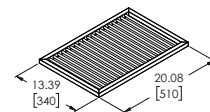


GRILL DIMENSIONS

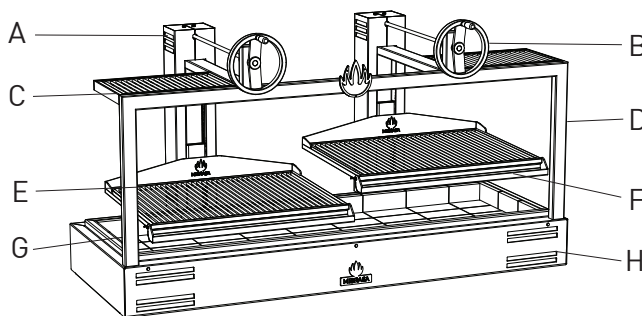


Dimensions in inches and [mm]

HEATING RACK DIMENSIONS



Revit drawings available on request at usa@mibrasa.com



A	Elevating system
B	Elevating wheel
C	Heating rack
D	Structure
E	Grill
F	Grease collector
G	Refractory bricks
H	Main body

Safety standards and installation guidelines

- Combustible floor protection dimensions:
 - a. 30 in [762 mm] to each side of the Parrilla
 - b. 36 in [914 mm] in front of the Parrilla
- Clearances to combustibles construction/other appliances:
 - a. Unit to backwall = 7 in [180 mm]
 - b. Unit to sidewalls = 28 in [720 mm]
- The workspace for the chef should be 27.56 in [700 mm] from the front of the Parrilla.
- A lifting device should be used whenever possible to lift the Parrilla and place on the countertop/stand.

For further information, please consult the instruction manual.

Specifications and design are subject to change without notice.



Parrilla GMB 200

OPTIONAL COMPLETE STAND



TECHNICAL INFORMATION

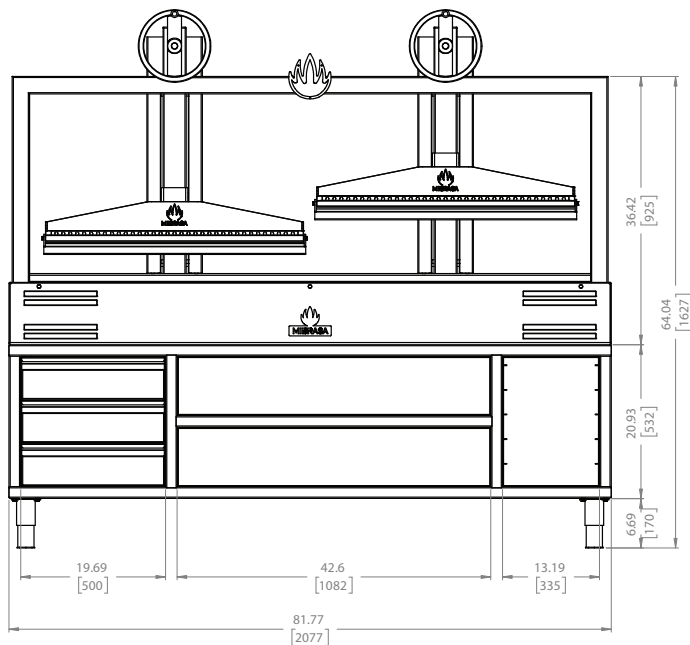
Ref.	GMB200 + MCGMB200	
Net weight ³	1296.3 lb	588 kg
Crated weight* ³	1671 lb	758 kg
Crated size (WxDxH)	44" x 87" x 85"	1120 x 2200 x 2150 mm

Ref.	MCGMB200	
Net weight ³	275.5 lb	125 kg
Crated weight* ³	320 lb	145 kg
Crated size (WxDxH)	44" x 87" x 28"	1120 x 2200 x 700 mm
No. drawers	3	
No. GN rack slots	5	

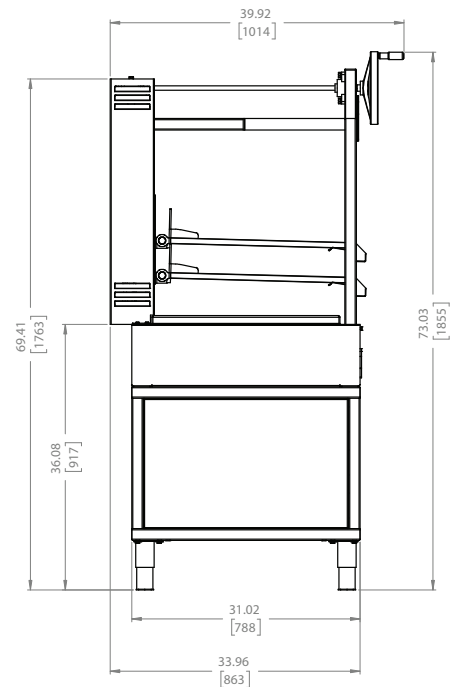
OPTIONAL ACCESSORIES

- S/S Casters [WINOXG]

FRONT VIEW



SIDE VIEW



Dimensions in inches and [mm]

MIBRASA® USA Corp.

8950 SW 74th Ct., Suite 1406

Miami, Florida 33156 - U.S.A

Ph: [408] 348 7607 - usa@mibrasa.com

www.mibrasa.com



Parrilla GMB 200

OPTIONAL STANDARD STAND



TECHNICAL INFORMATION

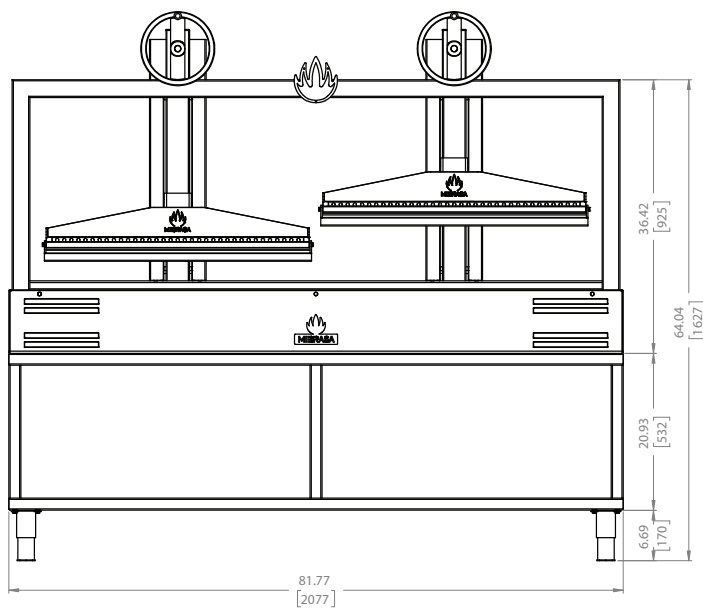
Ref.	GMB200 + MGMB200	
Net weight ³	1124 lb	510 kg
Crated weight* ³	1500 lb	680 kg
Crated size (WxDxH)	44" x 87" x 85"	1120 x 2200 x 2150 mm

Ref.	MGMB200	
Net weight ³	103.6 lb	47 kg
Crated weight* ³	148 lb	75 kg
Crated size (WxDxH)	44" x 87" x 28"	1120 x 2200 x 700 mm

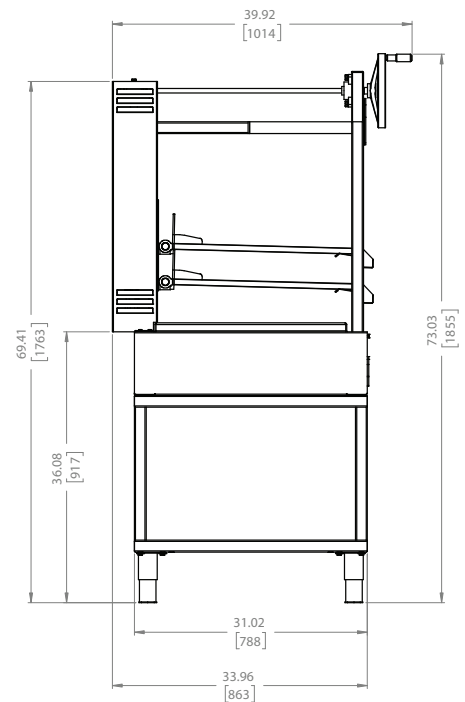
OPTIONAL ACCESSORIES

- S/S Casters [WINOXG]

FRONT VIEW



SIDE VIEW



Dimensions in inches and [mm]