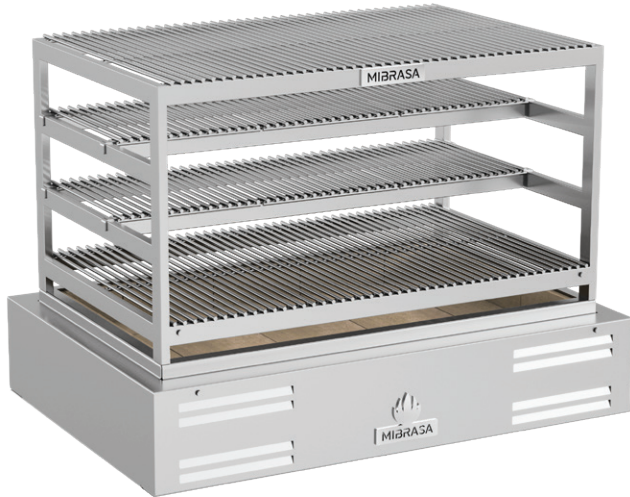




**MIBRASA®**

# RM 100 BEAST

## TECHNICAL INFORMATION

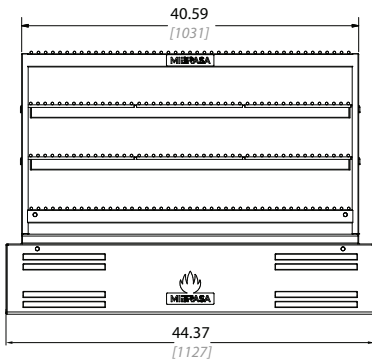


Fire up time <sup>1</sup>	30 min-average	
Cooking temperature	482 °F	250 °C
Initial charcoal load <sup>1</sup>	22 lb	10 kg
Charcoal load duration <sup>2</sup>	7 h	
Equivalent power*	6 hp	4.5 kW
Exhaust rate	205 gal/s	2800 m <sup>3</sup> /h
Installation height*	27.56"	700 mm
Crated size (WxDxH)	44" x 52" x 55"	1120 x 1310 x 1380 mm
Net weight <sup>3</sup>	555.65 lb	252 kg
Crated weight	782 .6 lb	355 kg

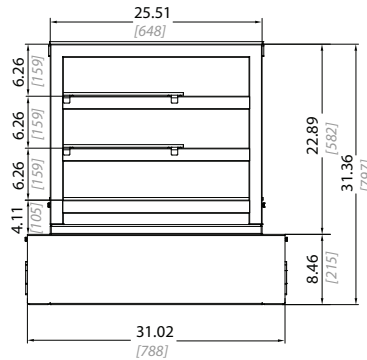
\*Approximate data

1. Consult instruction manual
2. Will vary depending on quality of charcoal
3. Weight with accessories included

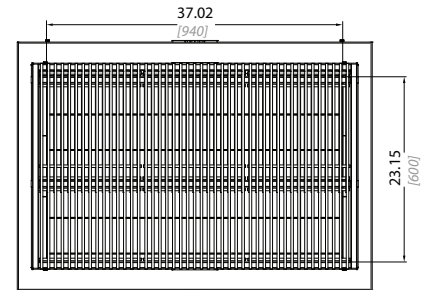
FRONT VIEW



SIDE VIEW



TOP VIEW



### INCLUDED ACCESSORIES

- 6 Top & bottom rod grills [RLTG100]
- 6 Middle rod grill [RMG100]
- Ash shovel [PALA]
- Ember poker [PK]
- Mibrasa tongs [TG]
- Grill brush [CEP]
- Mibrasa Ecofire firelighters [FL]

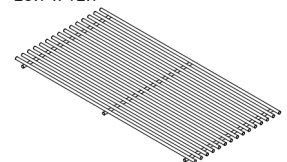
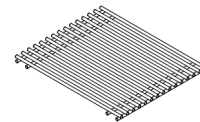
### OPTIONAL ACCESSORIES

- Top/bottom rod grill [RLTG100]
- Middle rod grill [RMG100]
- Gastronorm kit [SGN100]
- Espeto support kit [KITESPRM100]
- Burning pit lid [TAPA85]

### GRILL DIMENSIONS

Central rod grill  
RMG100 (6)  
15.1 x 12.7

Top and bottom rod grill  
RLTG100 (6)  
25.7 x 12.7



Specifications and design are subject to change without notice.

### Safety standards and installation guidelines

- Combustible floor protection dimensions:
    - a. 30 in [762 mm] to each side of the grill
    - b. 36 in [914 mm] in front of the grill
  - Clearances to combustibile construction/other appliances:
    - a. Unit to backwall = 7 in [180 mm]
    - b. Unit to sidewalls = 28 in [720 mm]
  - The workspace for the chef should be 27.56 in [700 mm] from the front of the grill.
  - A lifting device should be used whenever possible to lift the grill and place on the countertop/stand.
- For further information, please consult the instruction manual.





# RM 100 BEAST

## OPTIONAL COMPLETE STAND



## TECHNICAL INFORMATION

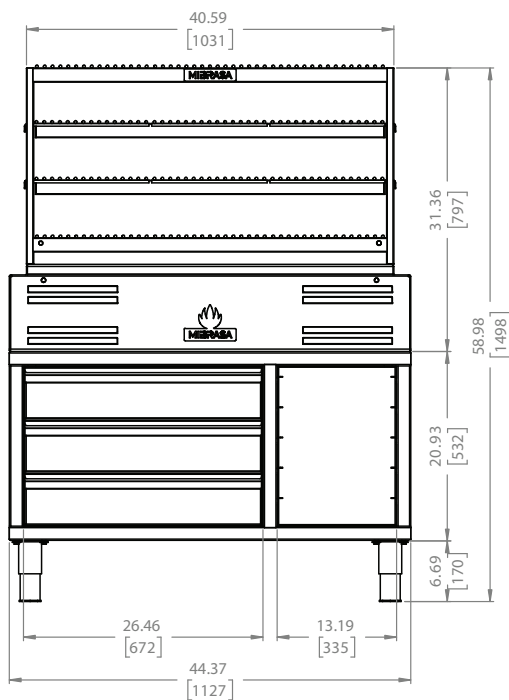
Ref.	RM100 BEAST + MCGMB100	
Crated size (WxDxH)	44" x 52" x 85"	1120 x 1310 x 2150 mm
Net weight	740.75 lb	336 kg
Crated weight	967.83 lb	439 kg

Ref.	MCGMB100	
Crated size (WxDxH)	44" x 52" x 28"	1120 x 1310 x 700 mm
Net weight	185.19 lb	84 kg
Crated weight	218.26 lb	99 kg
No. drawers	3	
No. GN rack slots	5	

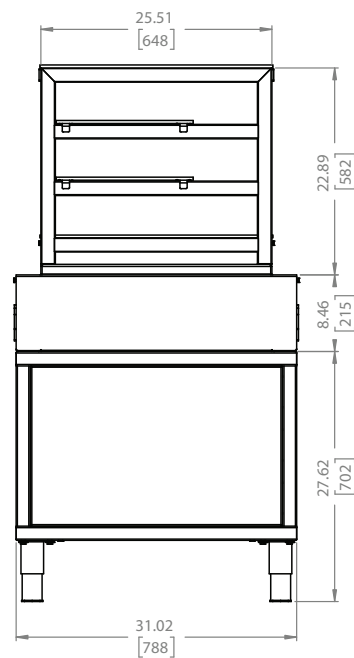
## OPTIONAL ACCESSORIES

- S/S Casters [WINOXG]

FRONT VIEW



SIDE VIEW



Dimensions in inches and [mm]

**MIBRASA® USA Corp.**  
 8950 SW 74th Ct., Suite 1406  
 Miami, Florida 33156 - U.S.A  
 Ph: [408] 348 7607 - usa@mibrasa.com  
[www.mibrasa.com](http://www.mibrasa.com)



# RM 100 BEAST

## OPTIONAL STANDARD STAND



## TECHNICAL INFORMATION

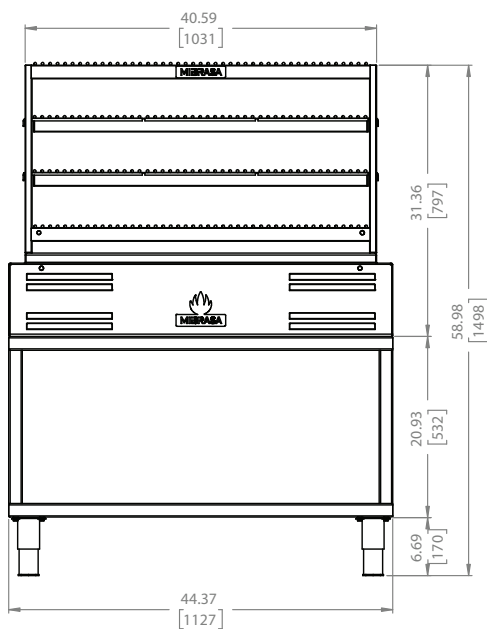
Ref.	RM100 BEAST + MGMB100	
Crated size (WxDxH)	44" x 52" x 85"	1120 x 1310 x 2150 mm
Net weight	740.75 lb	336 kg
Crated weight	967.83 lb	439 kg

Ref.	MGMB100	
Crated size (WxDxH)	44" x 52" x 28"	1120 x 1310 x 700 mm
Net weight	185.19 lb	84 kg
Crated weight	218.26 lb	99 kg

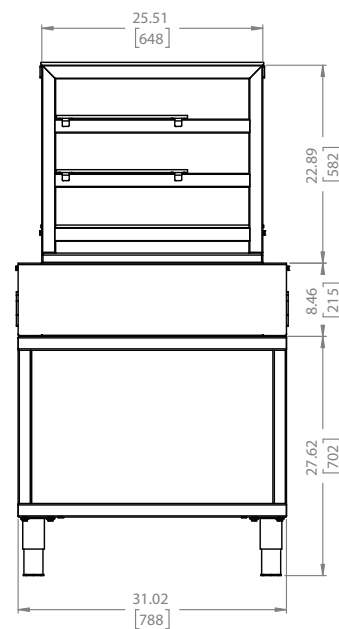
## OPTIONAL ACCESSORIES

- S/S Casters [WINOXG]

FRONT VIEW



SIDE VIEW



Dimensions in inches and [mm]



# SPIT-ROAST RM 100 ROBATA BEAST



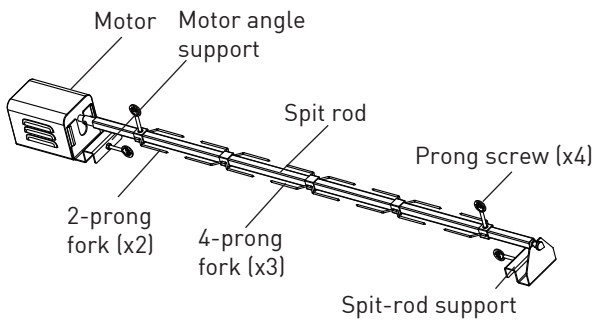
The Mibrasa® Spit-roast optional add-on accessory allows you to apply rotisserie cooking techniques over charcoal or firewood in the Mibrasa® Robata Beast.

Mount onto any of the top tiers to obtain the desired heat temperature, while combining with the remaining grill surface areas. Add-on up to 3 spits per level and a maximum of 6 in total.

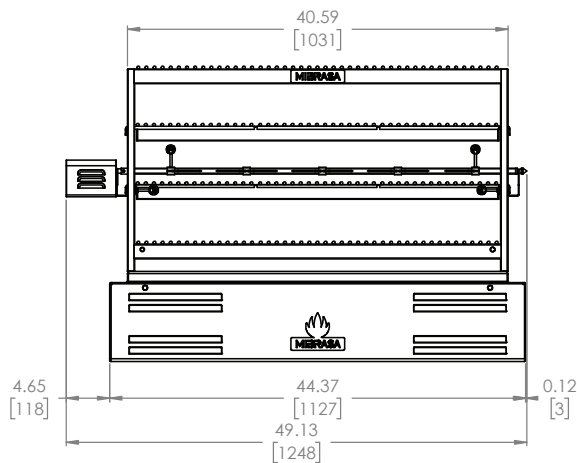
## TECHNICAL INFORMATION

	Voltage (V)	Frequency (Hz)	Power (W)	Plug type	Max. load (kg)
USA/CAN	110-120	60	15	B	50-70

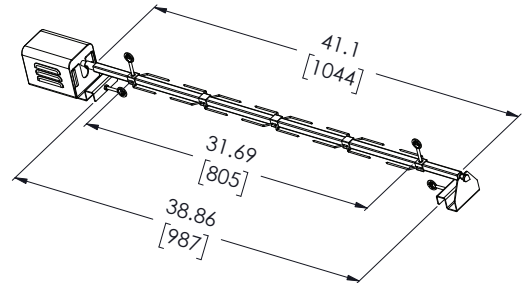
## PARTS OF THE SPIT-ROAST



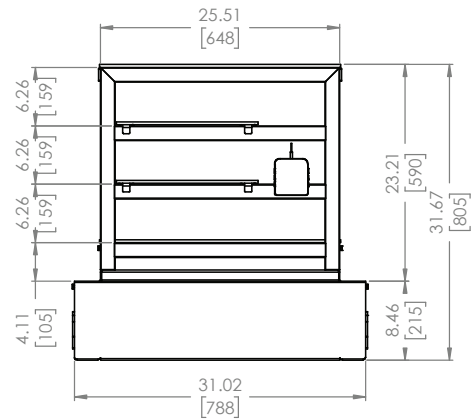
Front view mounted



Dimensions of the Spit-roast



Side view mounted



Dimensions in inches and [mm]

